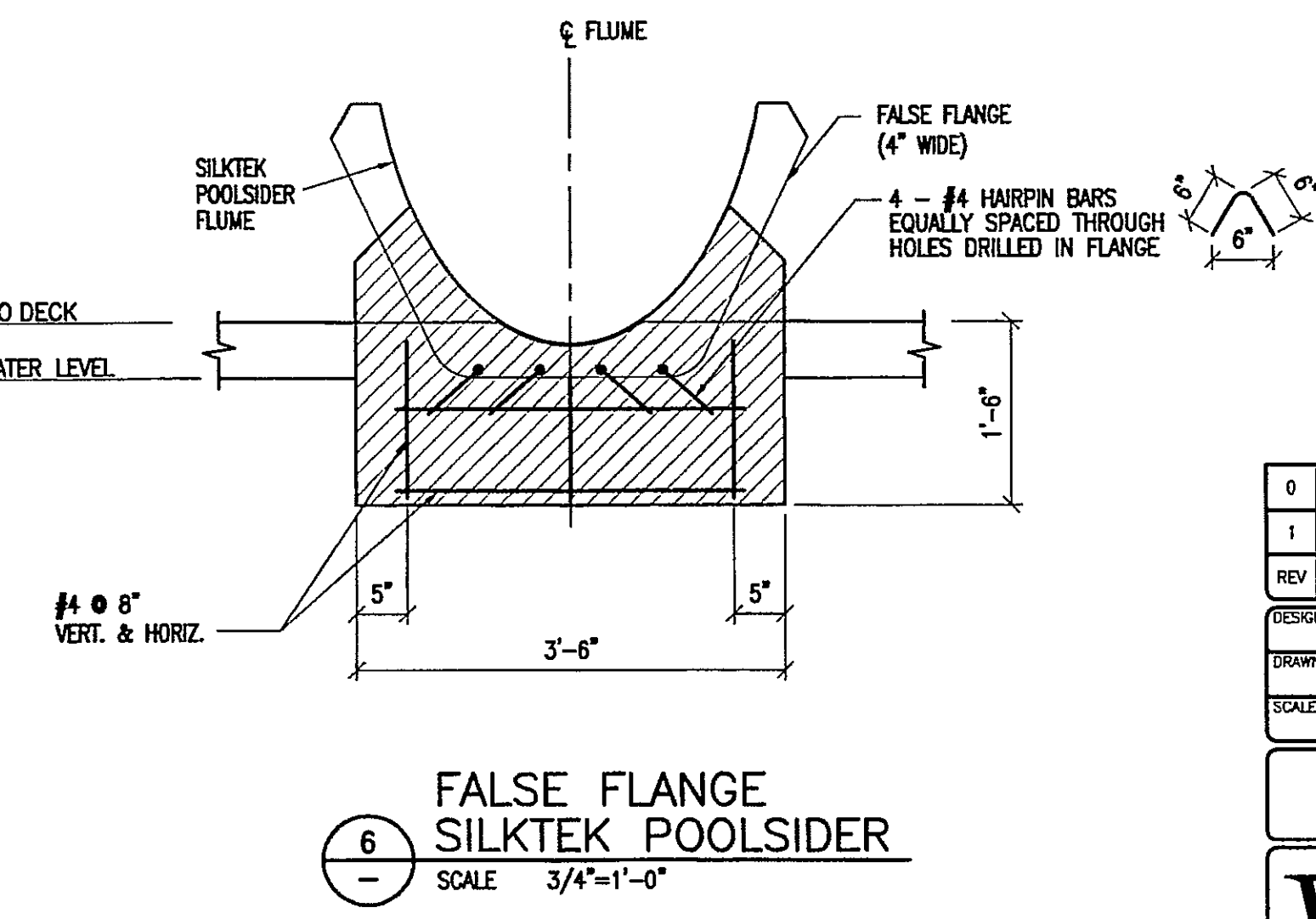
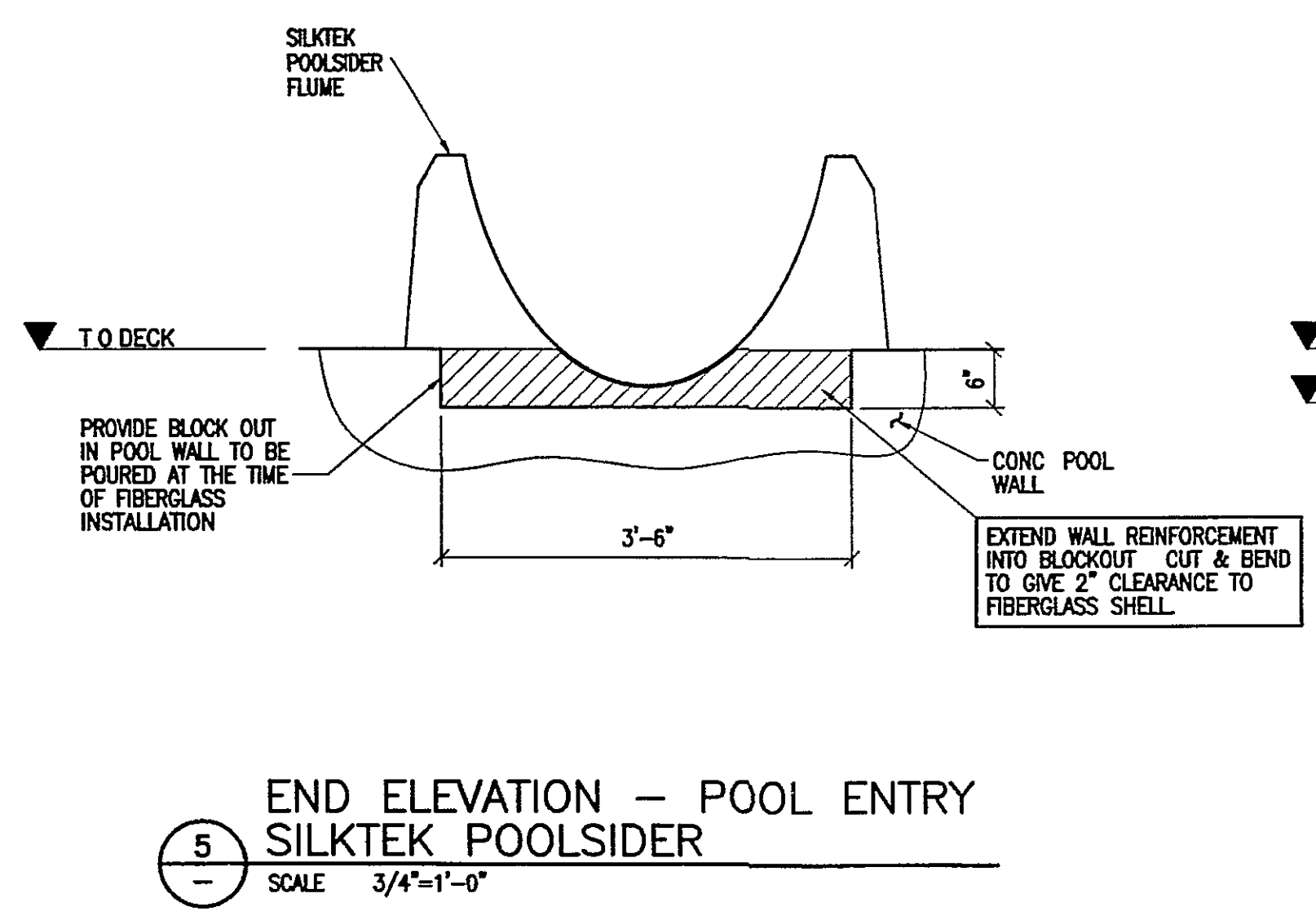
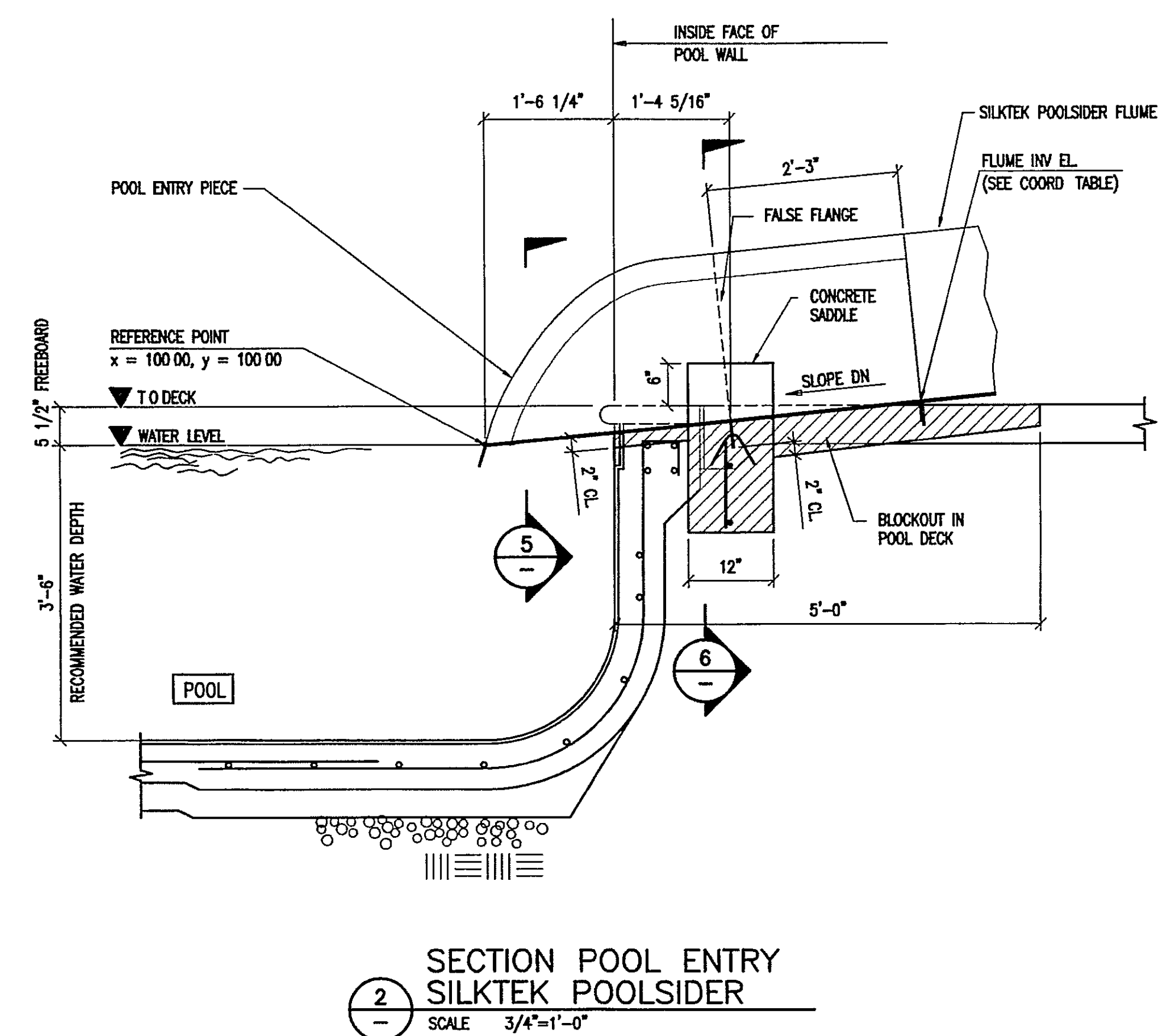
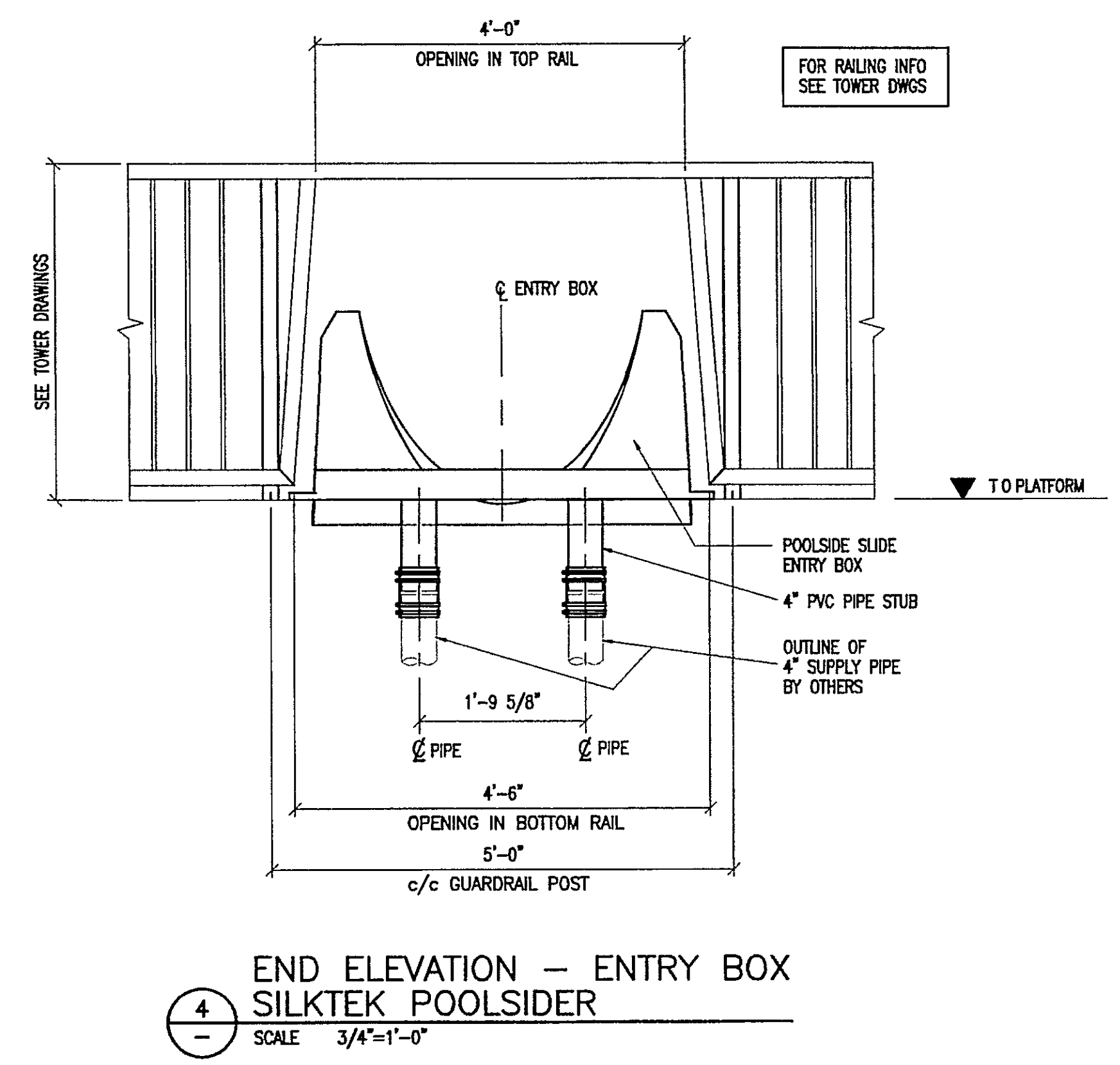
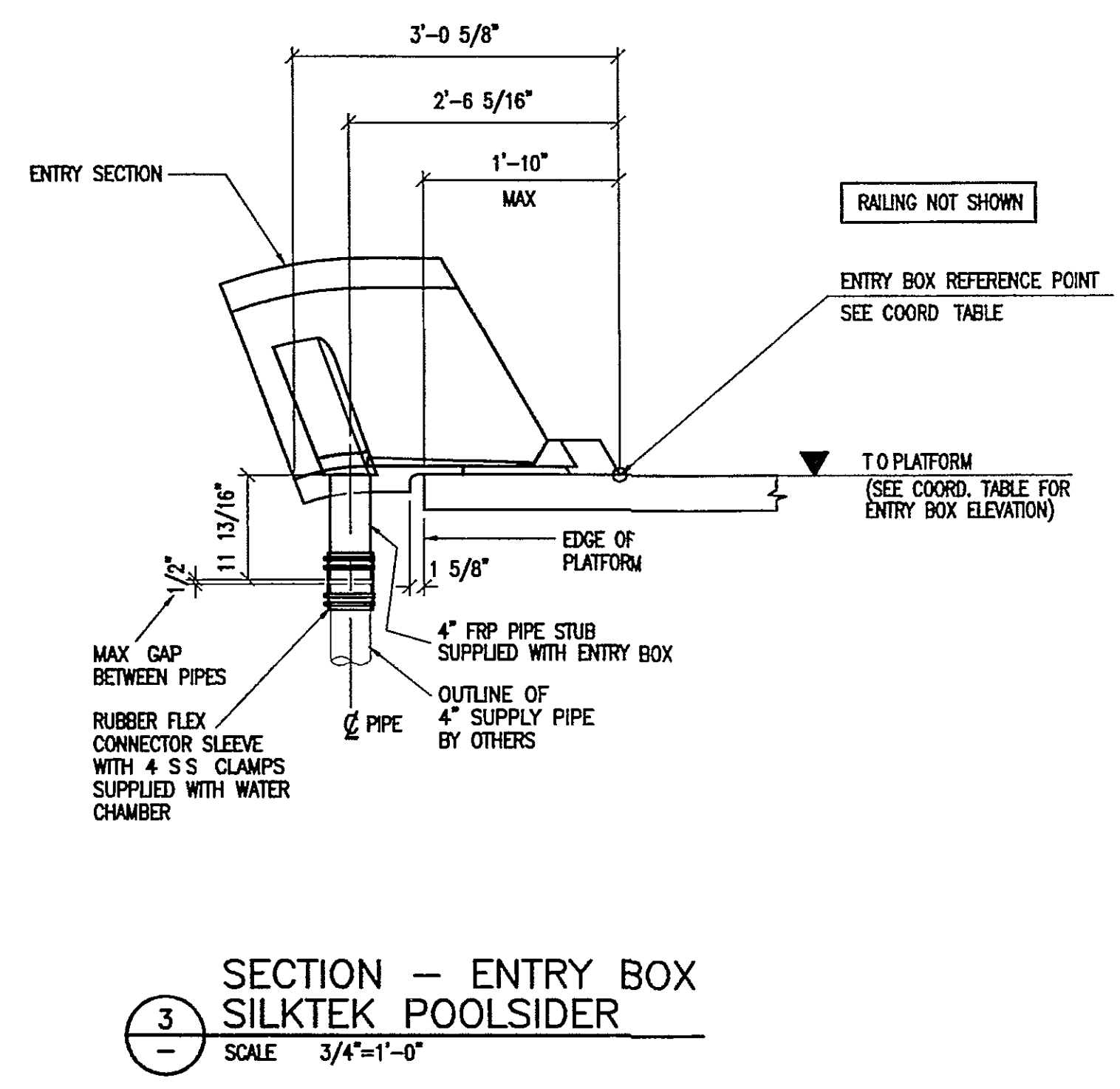
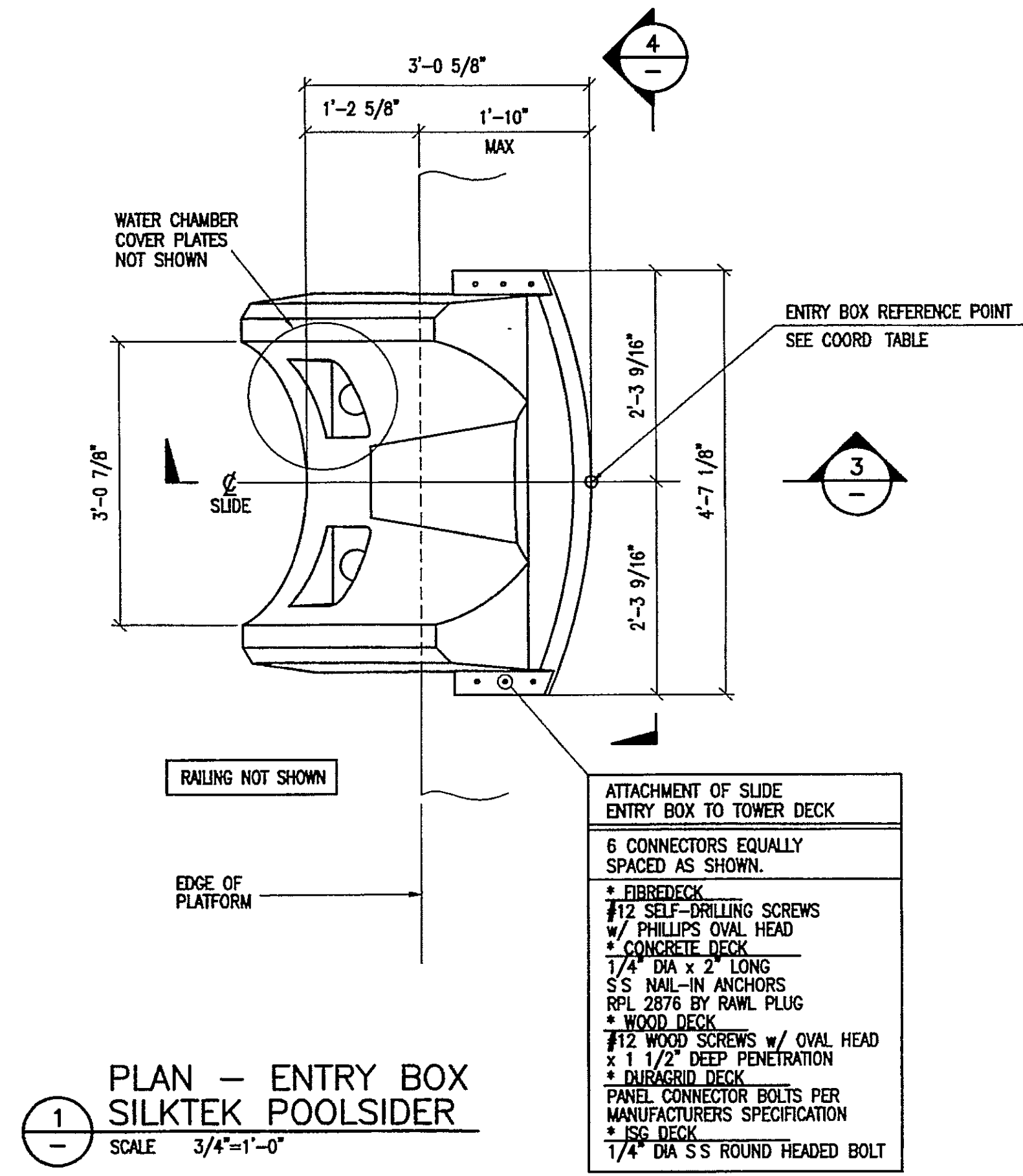


**NOTES:**  
 1 FOR GENERAL NOTES AND SPECIFICATIONS SEE DWG 130



0	ENGINEERING ISSUE	NOV 09/2007	RS
1	INFORMATION ISSUE	SEP 26/2007	RS
REV	REVISION DESCRIPTION/ISSUE RECORD	DATE	PE
DESIGNED BY	DATE	PROJ ENG CHECK	DATE
RS	SEP 25/2007	RS	NOV 09/07
DRAWN BY	DATE	DRAFTING CHECK	DATE
ARL	SEP 25/2007		
SCALE	AS NOTED	ARCHIVE FILE NO	15198S260

**NOTE:** - IMPERIAL DIMENSIONS  
 ALL ELEVATIONS AND CO-ORDINATES ARE IN FEET  
 ALL OTHER DIMENSIONS ARE IN FEET AND INCHES

**WHITE WATER**  
 WhiteWater West Industries Ltd  
 6700 McMillan Way Richmond, B.C. Canada V6W 1J7  
 Tel (604) 273-1068 Fax (604) 273-4516

SILKTEK POOLSIDER  
 ENTRY AND EXIT DETAILS

ANTELOPE COMMUNITY PARK  
 SACRAMENTO, CALIFORNIA

PROJECT No  
**15198** P0180-P0180-01-240-OF-247\_S260

PLOT DATE 11/9/07 PLOT TIME 13:52 FILE NAME 15198S260 ALL RIGHTS RESERVED THESE DRAWINGS AND SPECIFICATIONS ARE THE PROPERTY AND COPYRIGHT OF WHITEWATER AND SHALL NOT BE REPRODUCED OR USED ON ANY OTHER WORK EXCEPT BY WRITTEN AGREEMENT WITH WHITEWATER