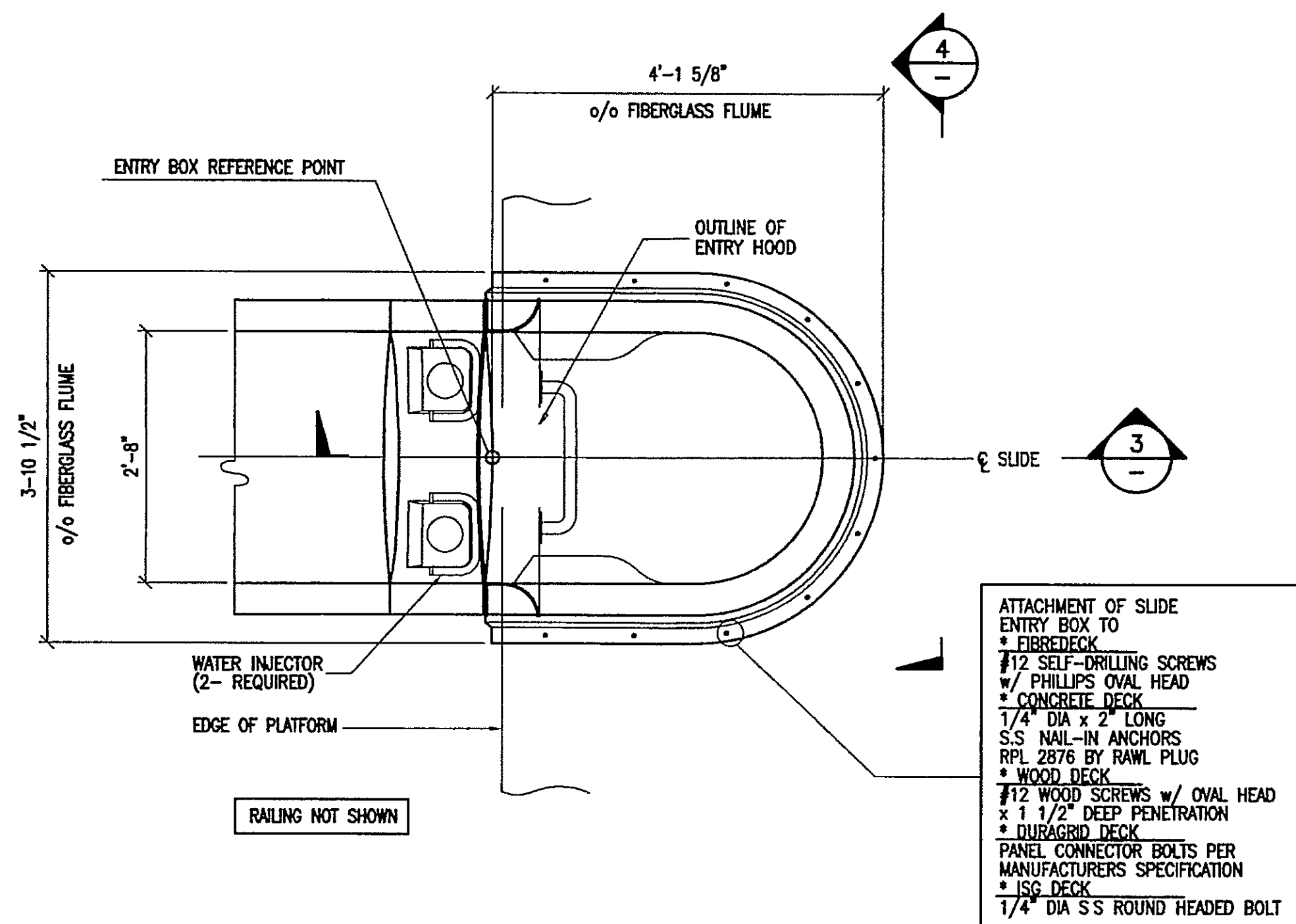
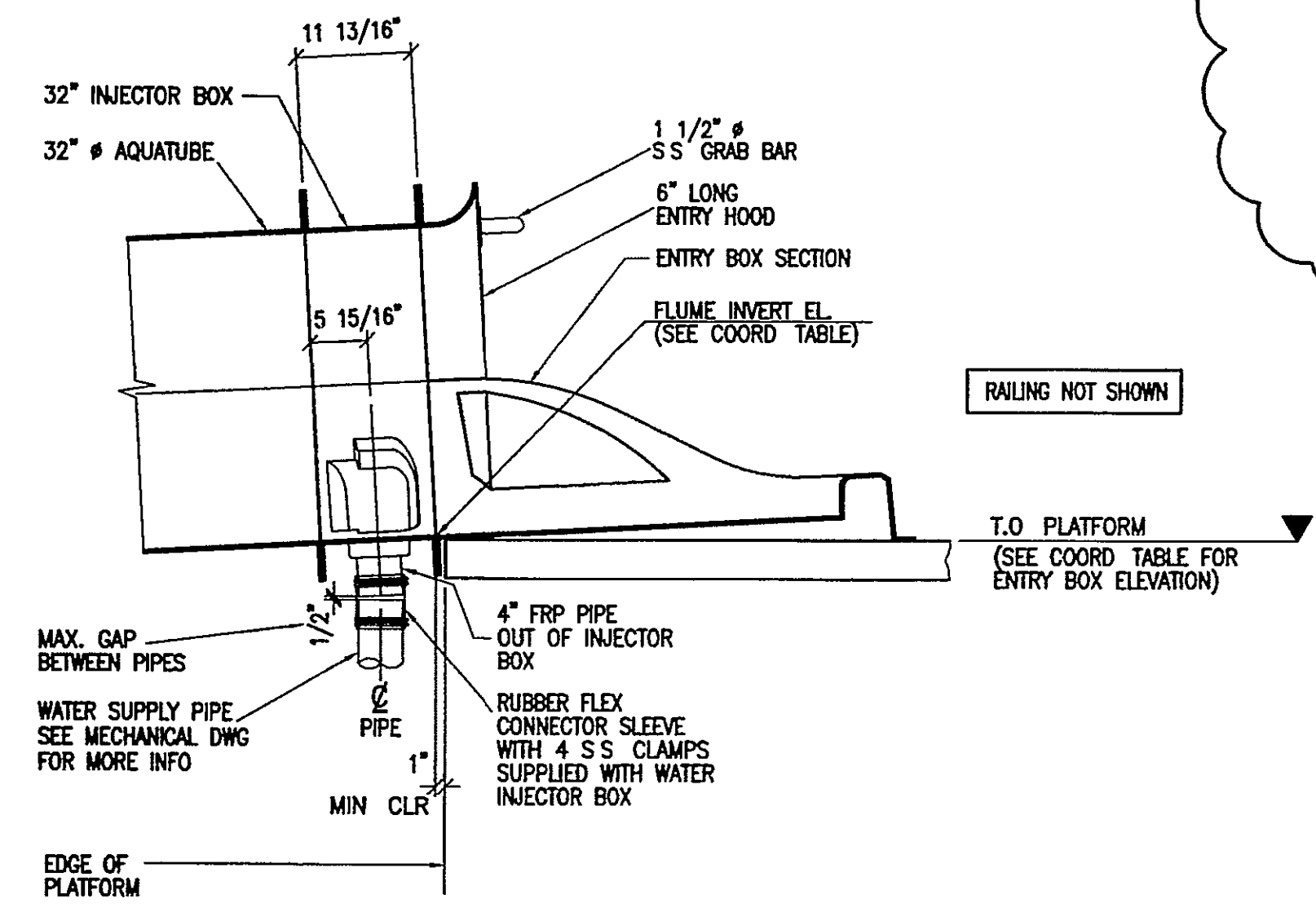


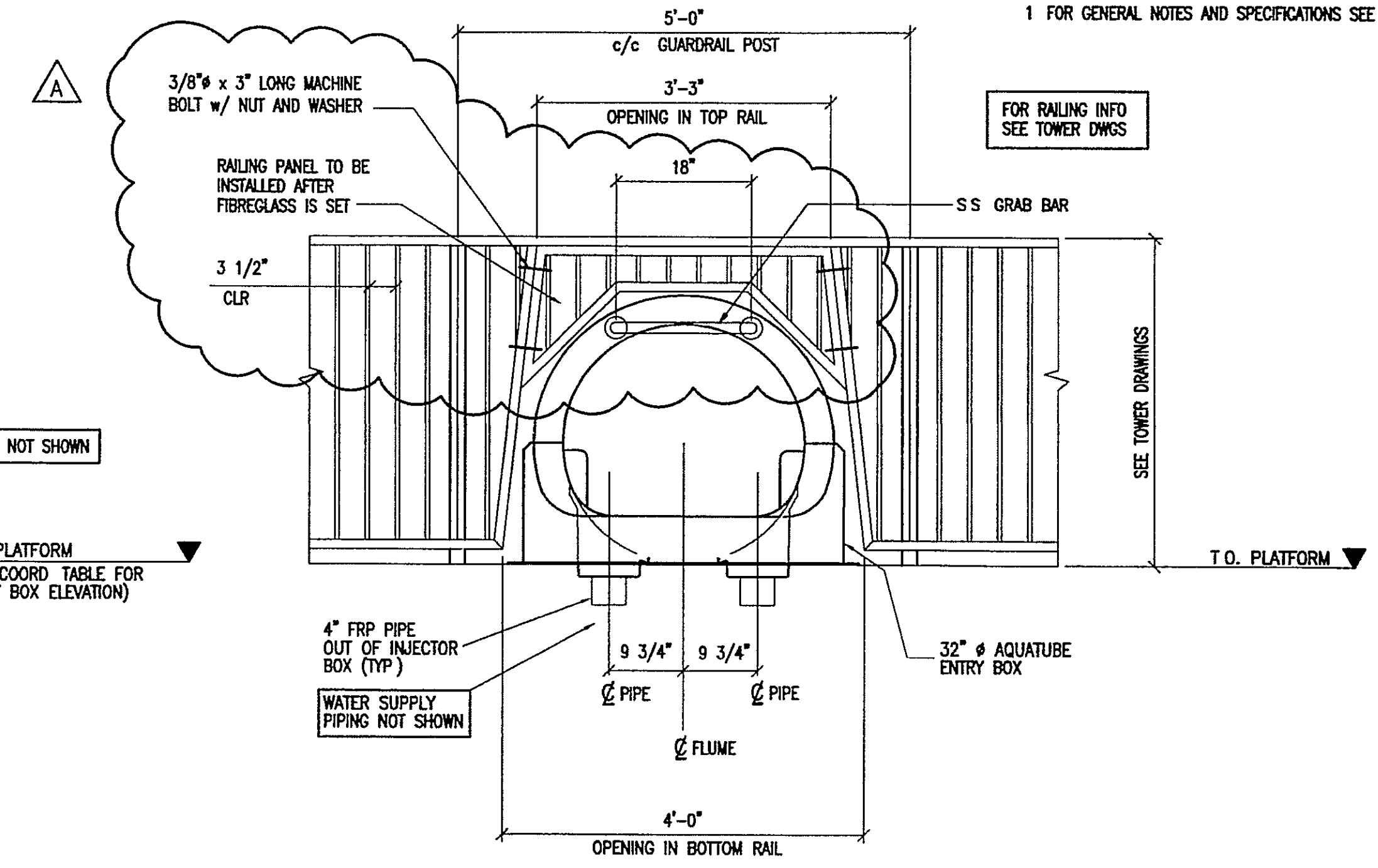
NOTES:
1 FOR GENERAL NOTES AND SPECIFICATIONS SEE DWG 130



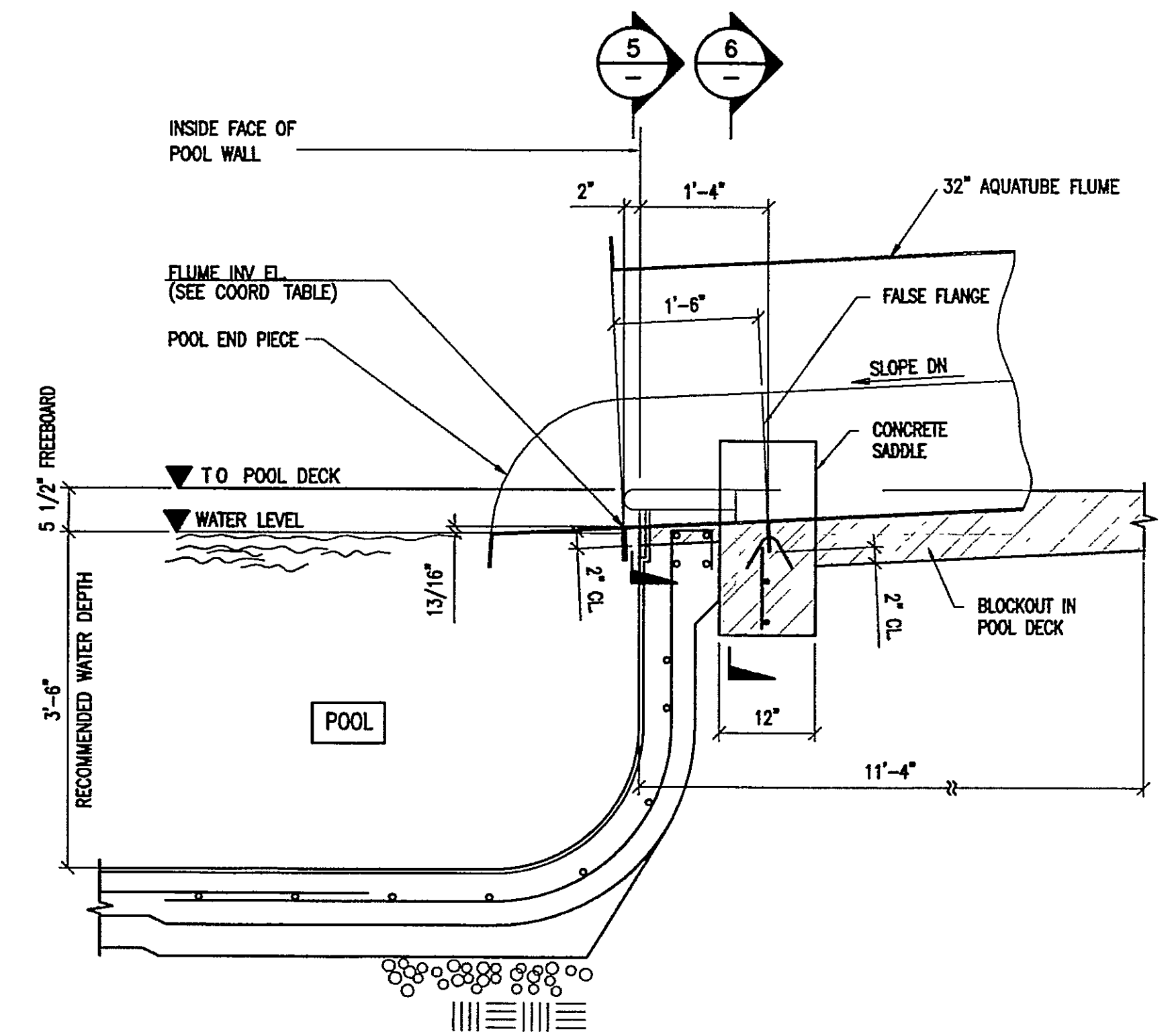
1
PLAN - ENTRY BOX
32" DIA AQUATUBE
SCALE 3/4"=1'-0"



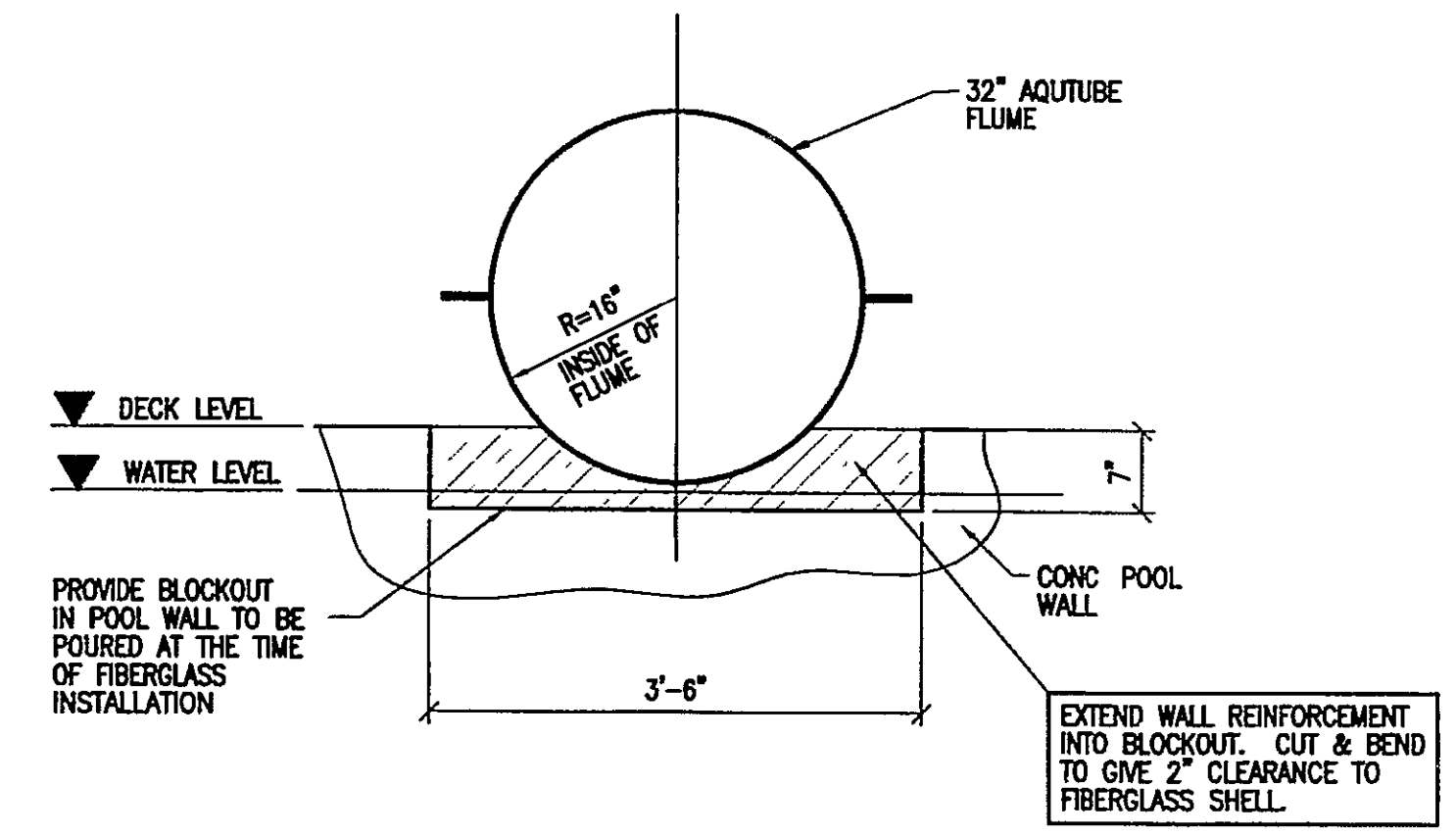
3
SECTION - ENTRY BOX
32" DIA AQUATUBE
SCALE 3/4"=1'-0"



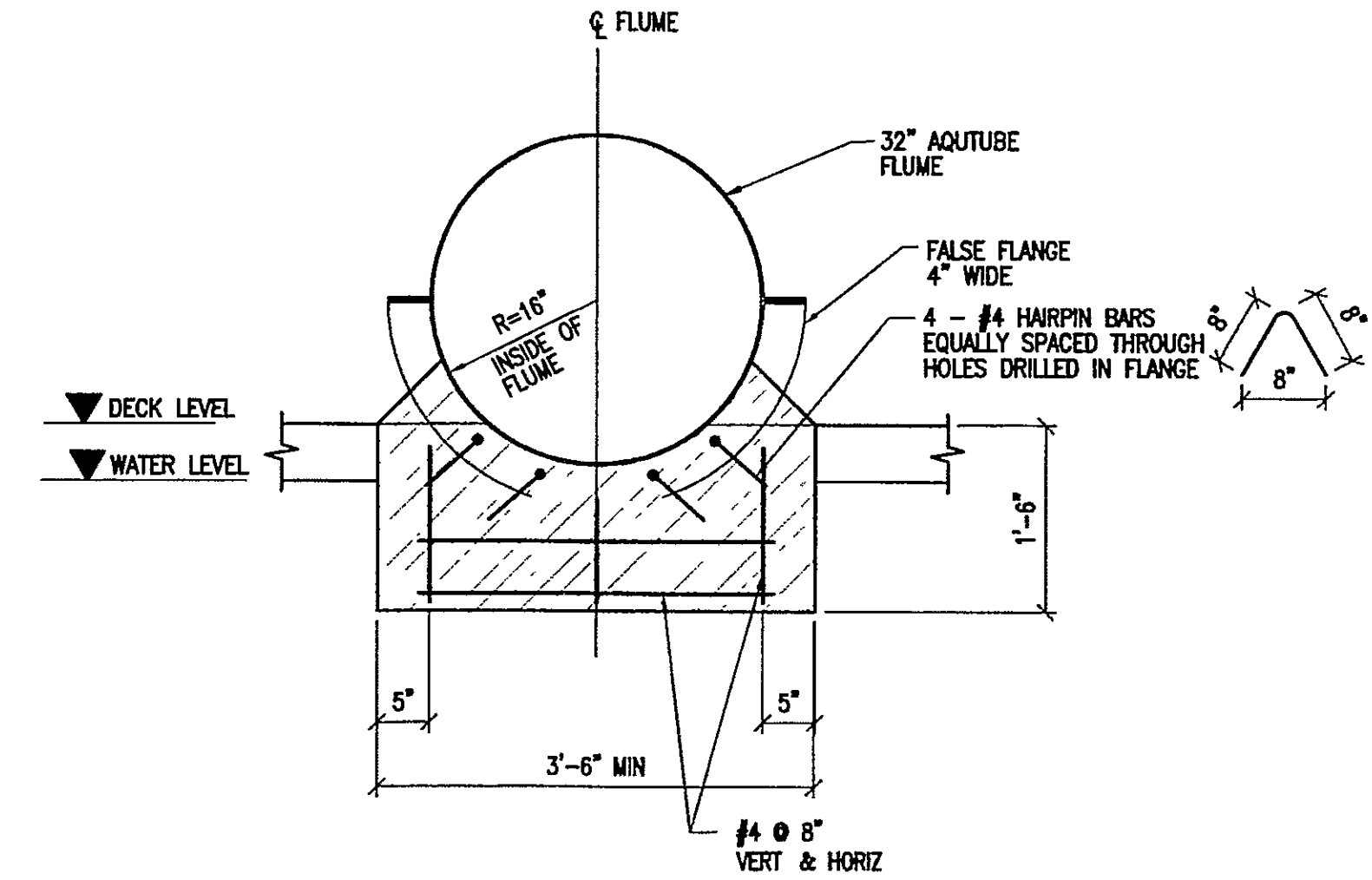
4
END ELEVATION - ENTRY BOX
32" DIA AQUATUBE
SCALE 3/4"=1'-0"



2
ELEVATION POOL ENTRY
32" DIA AQUATUBE
SCALE 3/4"=1'-0"



5
END ELEVATION - POOL ENTRY
32" DIA AQUATUBE
SCALE 3/4"=1'-0"



6
FALSE FLANGE
32" DIA AQUATUBE
SCALE 3/4"=1'-0"

A	REVISED AS SHOWN	JUL 28/2008
D	ENGINEERING ISSUE	NOV 09/2007
1	INFORMATION ISSUE	SEP 26/2007
REV	REVISION DESCRIPTION/ISSUE RECORD	DATE
DESIGNED BY	DATE	PROF. ENG. CHECK
RS	SEP 25/2007	
DRAWN BY	DATE	DRAWING CHECK
ARL	SEP 25/2007	
SCALE	AS NOTED	ARCHIVE FILE No
		15198S200

NOTE:— IMPERIAL DIMENSIONS
ALL ELEVATIONS AND CO-ORDINATES ARE IN FEET
ALL OTHER DIMENSIONS ARE IN FEET AND INCHES

WHITE WATER
WhiteWater West Industries Ltd
6700 McMillan Way, Richmond B.C. Canada V6V 1J7
Tel (604) 273-1058 Fax (604) 273-4518

AQUATUBE (32" DIA)
WITH INJECTOR BOX
ENTRY AND EXIT DETAILS
ANTELOPE COMMUNITY PARK
SACRAMENTO, CALIFORNIA

PROJECT No
15198 P0180-P0180-01-239-OF-247_S200

PLOT DATE 08/01/09 FILE NAME S200.dwg ALL RIGHTS RESERVED THESE DRAWINGS AND SPECIFICATIONS ARE THE PROPERTY AND COPYRIGHT OF WHITEWATER AND SHALL NOT BE REPRODUCED OR USED ON ANY OTHER WORK EXCEPT BY WRITTEN AGREEMENT WITH WHITEWATER