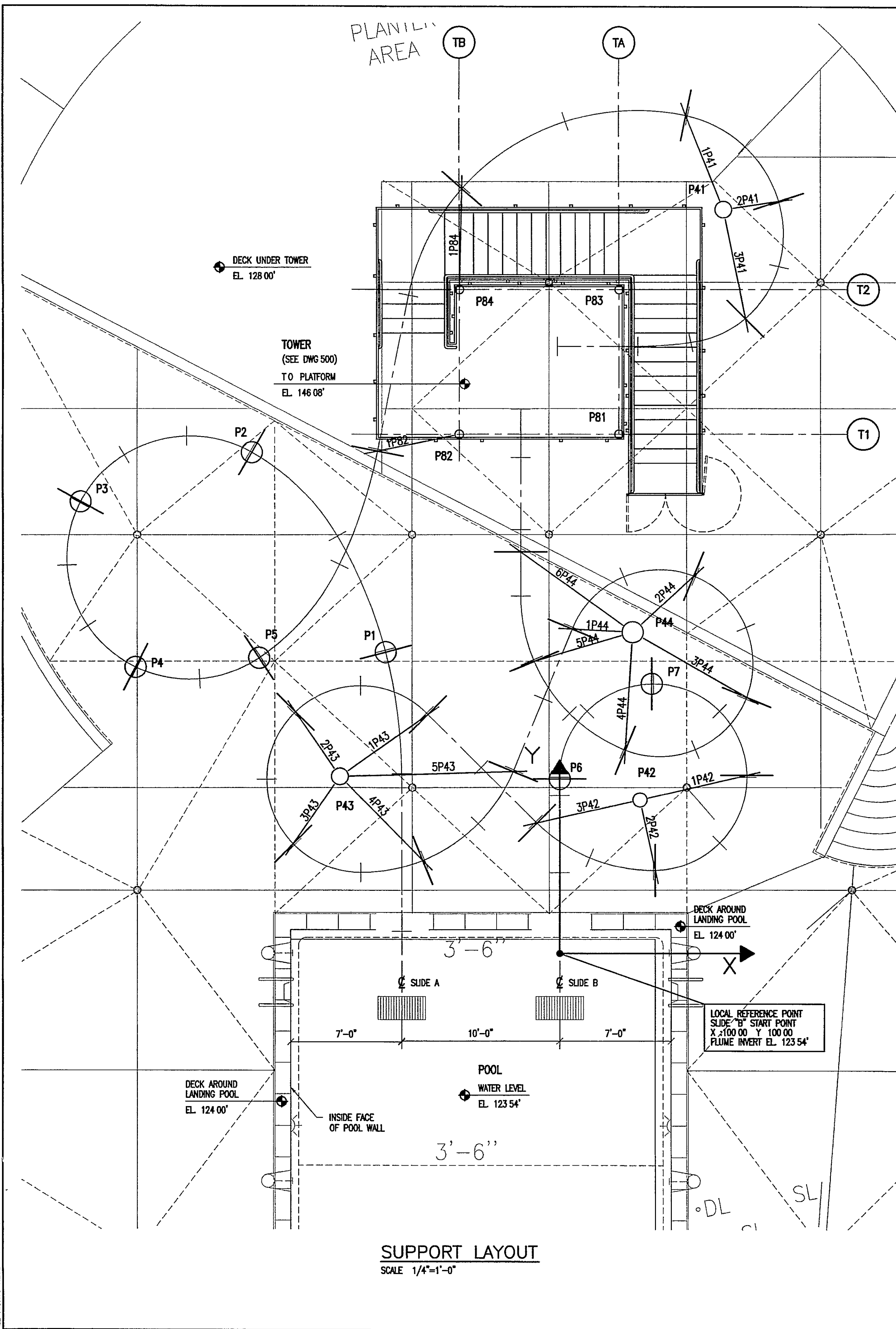


PLOT TIME 11/9/07 FILE NAME 15198-400 ALL RIGHTS RESERVED THESE DRAWINGS AND SPECIFICATIONS ARE THE PROPERTY AND COPYRIGHT OF WHITEWATER AND SHALL NOT BE REPRODUCED OR USED ON ANY OTHER WORK EXCEPT BY WRITTEN AGREEMENT WITH WHITEWATER

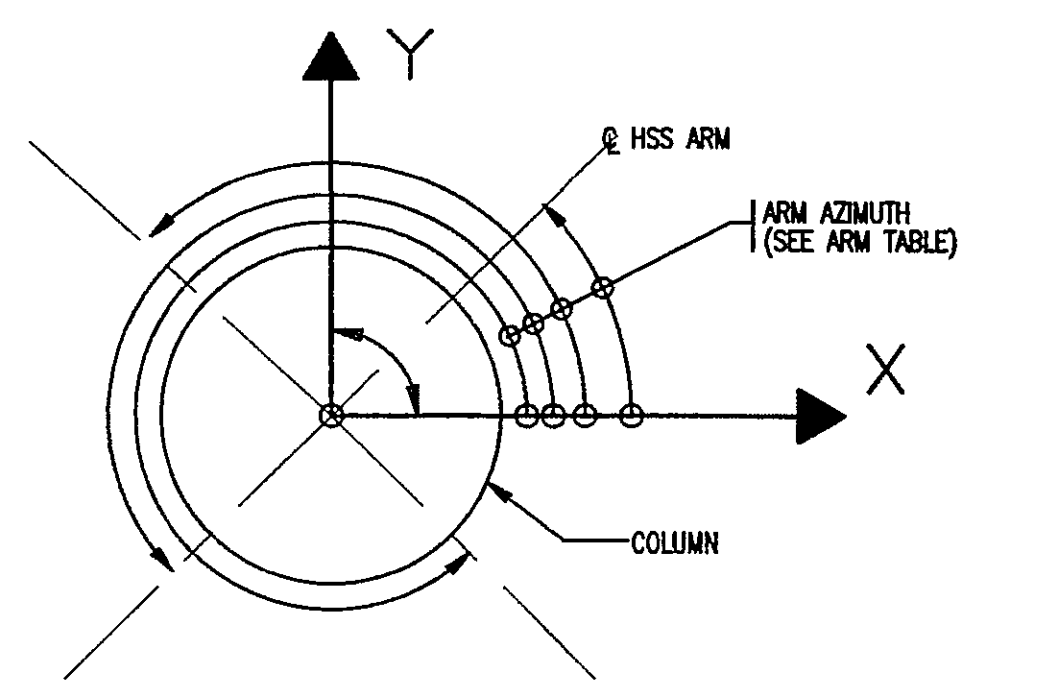


### ARM AND YOKE TABLE

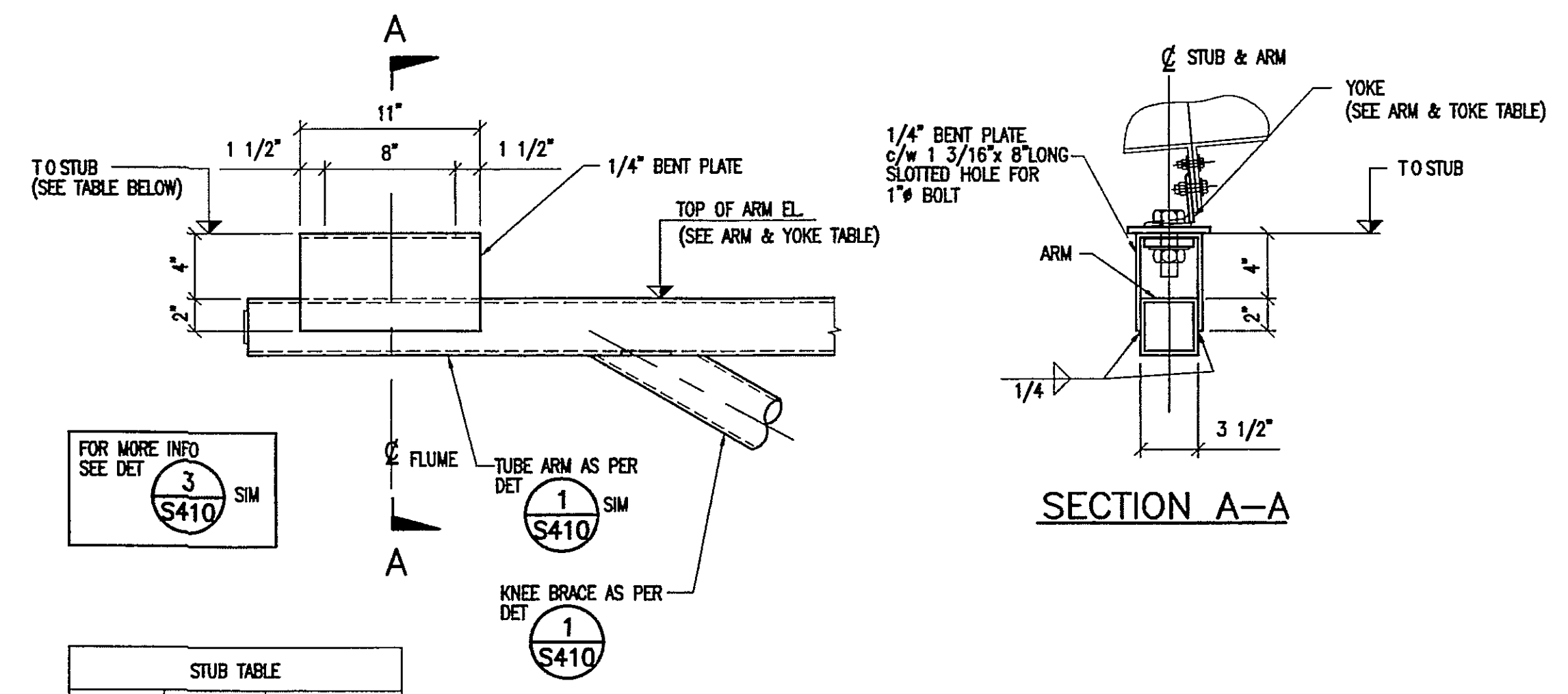
COL NO	ARM NO	ARM AZIMUTH (deg)	ARM ELEVATION SEE DETAIL 1 OR 2/S410 (feet)	ARM DETAIL DET 1 OR 2/S410		BRACE DETAIL DET 1 OR 2/S410		YOKE DETAILS			SUPPORTED SECTION		
				SECTION UNO	A (ft)	SECTION	B (ft)	BRACE DOWN UNO U=UP	SEE 1/S410 UNO	YOKE TYPE		YOKE DETAIL	YOKE GRADE (deg)
P1										32-0	1/S411	5 71	A(3)/A(4)
P2										32-0	1/S411	6 84	A(5)/A(6)
P3										32-0	1/S411	11 31	A(8)/A(9)
P4										32-0	1/S411	11 31	A(11)/A(12)
P5										32-0	1/S411	8 53	A(13)/A(14)
P6										SM-0	1/S465	7 97	B(3)/B(4)
P7										SM-0	1/S465	7 97	B(5)/B(6)
P41	1P41	111 54	138 21	TS 3 5x3 5x0 188	5 83	TS 2.5x2.5x0 125	2 17			32-1	2/S411	7 41	A(19)/A(20)
P41	2P41	8 45	139 62	TS 3 5x3 5x0 188	2 93	TS 2.5x2.5x0 125	1 00			32-1	2/S411	13 50	A(21)/A(22)
P41	*3P41	281 31	142 13	TS 3 5x3 5x0 188	6 47	TS 2.5x2.5x0 125	2 75			32-1	2/S411	24 23	A(23)/A(24)
P42	1P42	12 91	126 80	TS 3 5x3 5x0 188	6 39	TS 2.5x2.5x0 125	2 19	U		SM-1	2/S465	7 97	B(7)/B(8)
P42	2P42	282 12	128 10	TS 3 5x3 5x0 188	4 03	TS 2.5x2.5x0 125	0 88	U		SM-1	2/S465	7 97	B(9)/B(10)
P42	3P42	192 74	129 26	TS 3 5x3 5x0 188	6 12	TS 2.5x2.5x0 125	1 76	U		SM-1	2/S465	7 97	B(11)/B(12)
P43	1P43	35 27	130 62	TS 3 5x3 5x0 188	6 18	TS 2.5x2.5x0 125	2 75			SM-1	2/S465	7 97	B(13)/B(14)
P43	2P43	124 44	131 92	TS 3 5x3 5x0 188	4 32	TS 2.5x2.5x0 125	1 58			SM-1	2/S465	7 97	B(15)/B(16)
P43	3P43	235 38	133 22	TS 3 5x3 5x0 188	4 57	TS 2.5x2.5x0 125	1 58			SM-1	2/S465	7 97	B(17)/B(18)
P43	4P43	314 46	134 44	TS 3 5x3 5x0 188	6 83	TS 2.5x2.5x0 125	2 75			SM-1	2/S465	7 96	B(19)/B(20)
P43	5P43	1 59	135 60	TS 4 0x4 0x0 188	10 34	TS 3 0x3 0x0 125	3 80			SM-1	2/S465	7 97	B(21)/B(22)
P44	1P44	177 00	136 96	TS 3 5x3 5x0 188	3 04	TS 2.5x2.5x0 125	1 58			SM-1	2/S465	7 97	B(23)/B(24)
P44	2P44	42 50	138 26	TS 3 5x3 5x0 188	4 47	TS 2.5x2.5x0 125	1 58			SM-1	2/S465	7 97	B(25)/B(26)
P44	3P44	330 20	139 56	TS 3 5x3 5x0 188	7 53	TS 2.5x2.5x0 125	3 33			SM-1	2/S465	7 97	B(27)/B(28)
P44	4P44	266 45	140 86	TS 3 5x3 5x0 188	6 71	TS 2.5x2.5x0 125	2 75			SM-1	2/S465	7 98	B(29)/B(30)
P44	5P44	196 45	142 01	TS 3 5x3 5x0 188	5 70	TS 2.5x2.5x0 125	1 75	U		SM-1	2/S465	7 97	B(31)/B(32)
P44	*6P44	144 24	142 92	TS 3 5x3 5x0 188	7 92	TS 2.5x2.5x0 125	2 63	U		SM-1	2/S465	20 59	B(33)/B(34)
P82	1P82	191 59	134 17	TS 3 5x3 5x0 188	4 91	TS 2.5x2.5x0 125	1 58			32-1	2/S411	6 59	A(15)/A(16)
P84	*1P84	88 46	135 92	TS 3 5x3 5x0 188	6 07	TS 2.5x2.5x0 125	2 75			32-1	2/S411	6 84	A(17)/A(18)

\* 4" STUB REQUIRED SEE DETAIL 1/

**NOTES:**  
 1 FOR GENERAL NOTES AND SPECIFICATIONS SEE DWG 130  
 2 ALL STEEL MEMBERS SHALL BE MADE IN AN APPROVED FABRICATOR'S SHOP. THE APPROVED FABRICATOR SHALL SUBMIT THE CERTIFICATE OF COMPLIANCE TO THE BUILDING INSPECTOR PRIOR TO ERECTION



**ARM COLUMN DIAGRAM**  
NOT TO SCALE



FOR MORE INFO SEE DET 3 S410 SIM

STUB TABLE		
ARM NO	TO STUB (ft)	SUPPORTED SECTION
3P41	142.47	A(23)/A(24)
6P44	143.26	B(33)/B(34)
1P84	135.25	A(17)/A(18)

1 ARM WITH STUB DETAIL  
SCALE 1/2"=1'-0"



0	ENGINEERING ISSUE	NOV 09/2007	RS
REV	REVISION DESCRIPTION/ISSUE RECORD	DATE	PE
DESIGNED BY	RS	DATE	SEP 13/2007
DRAWN BY	ARL	DATE	SEP 13/2007
SCALE	AS NOTED	ARCHIVE FILE NO	15198-400

NOTE:-- IMPERIAL DIMENSIONS ALL ELEVATIONS AND CO-ORDINATES ARE IN FEET ALL OTHER DIMENSIONS ARE IN FEET AND INCHES

**WHITE WATER**  
 WhiteWater West Industries Ltd  
 6700 McMillan Way Richmond, B.C. Canada V6W 1J7  
 Tel (604) 273-1088 Fax (604) 273-6518

**SUPPORT LAYOUT AND TABLES**  
**ANTELOPE COMMUNITY PARK SACRAMENTO, CALIFORNIA**

PROJECT No **15198** OF **P0180-P0180-01-233-OF-247-400**