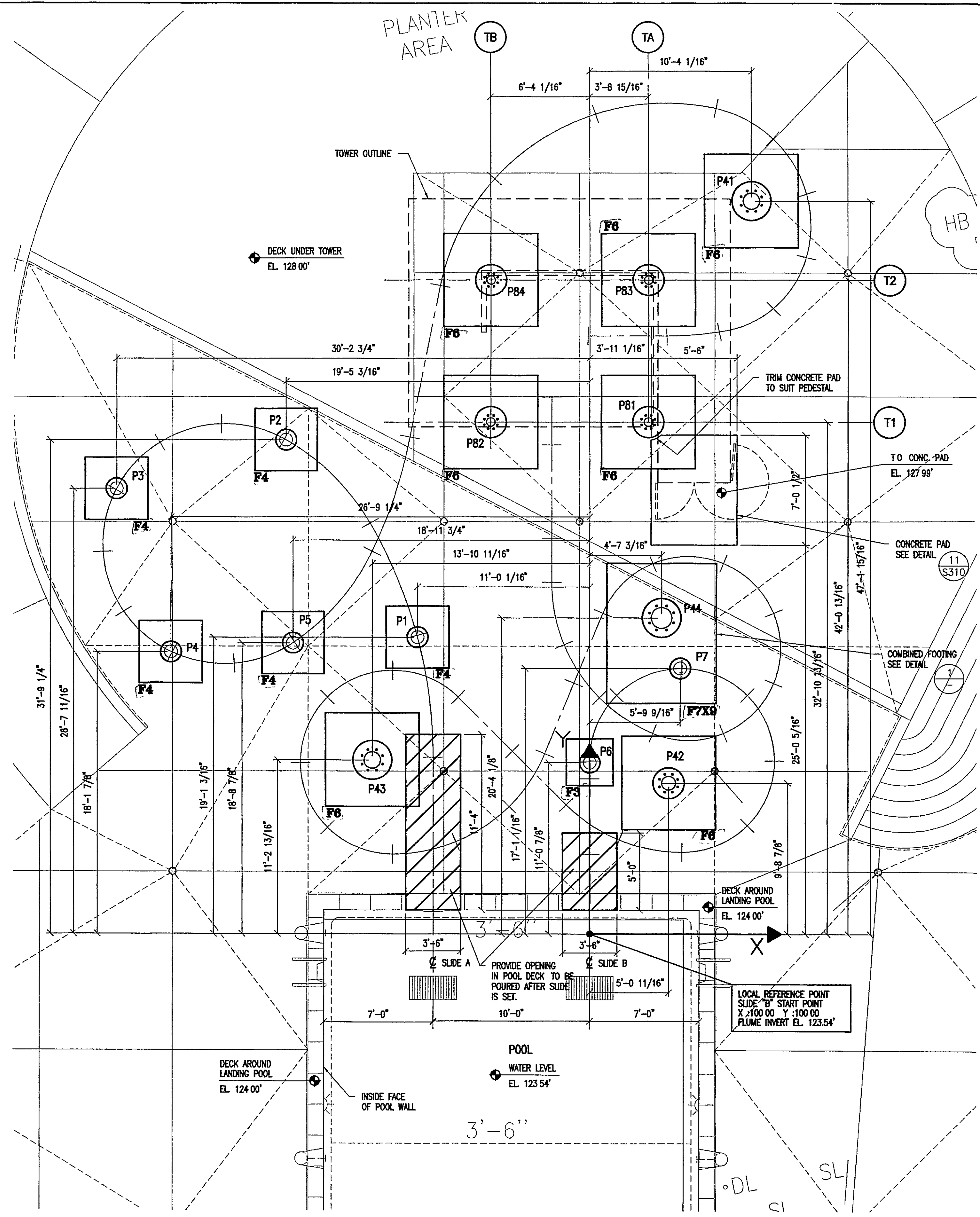


PLOT DATE 11/9/07 PLOT TIME 13.53 FILE NAME 15198-300 ALL RIGHTS RESERVED THESE DRAWINGS AND SPECIFICATIONS ARE THE PROPERTY AND COPYRIGHT OF WHITEWATER AND SHALL NOT BE REPRODUCED OR USED ON ANY OTHER WORK EXCEPT BY WRITTEN AGREEMENT WITH WHITEWATER



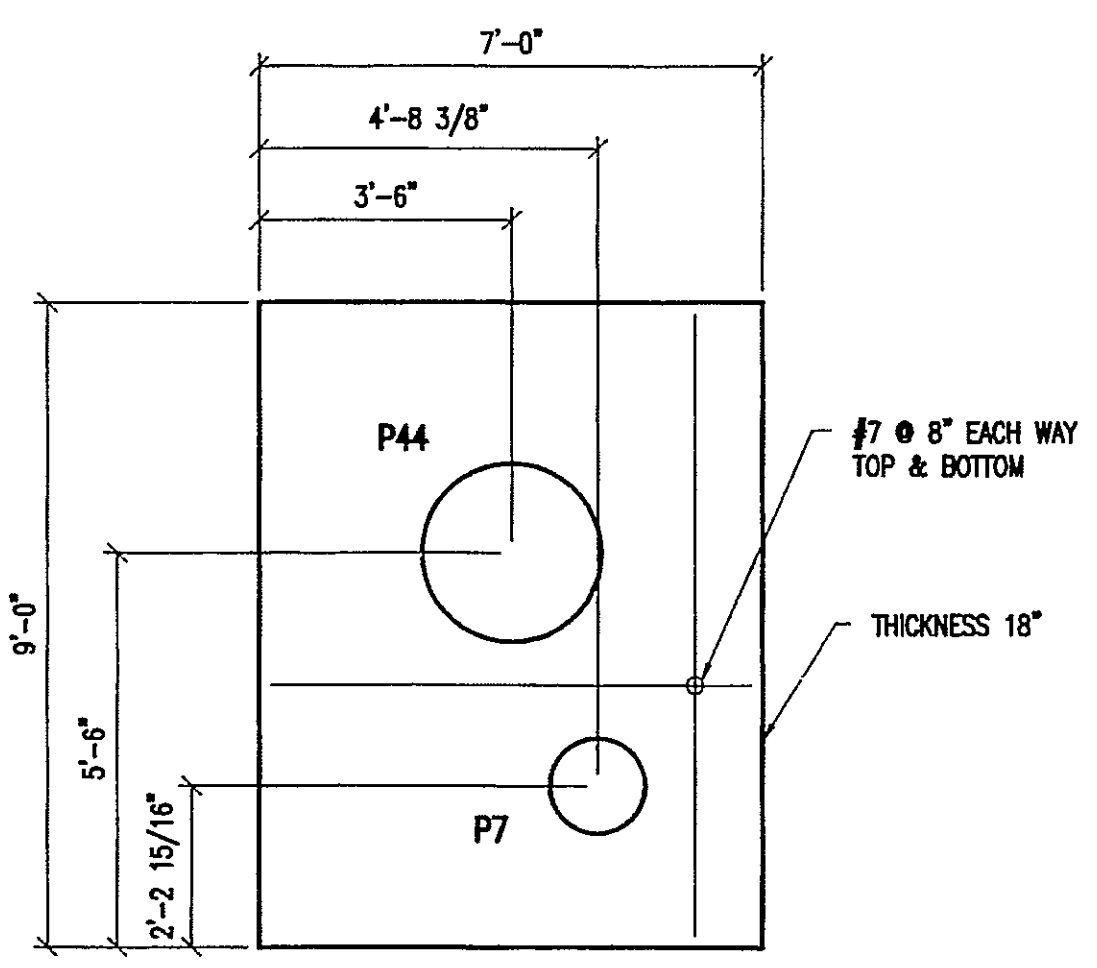
FOUNDATION LAYOUT
SCALE 1/4"=1'-0"

NOTES:
1 FOR GENERAL NOTES AND SPECIFICATIONS SEE DWG 130

| FOUNDATION TABLE | | | | | | | | | |
|------------------|----------------|----------------|---|--|--|--|--|-------------------------------------|--|
| COL. NO | X COORD (feet) | Y COORD (feet) | FOOTING TYPE SEE DETAIL 2/S310 and 3/S310 | COLUMN OR PEDESTAL TYPE SEE DETAIL 1/S310 and 3/S310 | EMBEDDED PLATE (EBP) SEE DETAIL 7/S310 | ANCHOR BOLTS SEE DETAIL 4/S310 UNO Q-D-B | ANCHOR BOLTS SEE DETAIL 5/S310 UNO Q-D-B | U/S FOOTING EL AS PER DETAIL 3/S310 | TOP OF COLUMN OR PEDESTAL ELEVATION (ft) |
| P 1 | 88 996 | 119 098 | F4 | C16 | EBP | - | - | 120 50 | 124 12 |
| P 2 | 80 568 | 131 769 | F4 | C16 | EBP | - | - | 120 50 | 125 94 |
| P 3 | 69 772 | 128 640 | F4 | C16 | EBP | - | - | 120 50 | 127 93 |
| P 4 | 73 231 | 118 158 | F4 | C16 | EBP | - | - | 120 50 | 130 45 |
| P 5 | 81 021 | 118 738 | F4 | C16 | EBP | - | - | 120 50 | 131 82 |
| P 6 | 100 000 | 111 071 | F3 | C16 | EBP | - | - | 120 50 | 124 09 |
| P 7 | 105 797 | 117 086 | F7x9* | C16 | EBP | - | - | 120 50 | 125 39 |
| P 41 | 110 339 | 147 164 | F6 | C30 | - | 8-1-17 | - | 124 50 | 128 50 |
| P 42 | 105 055 | 109 741 | F6 | C24 | - | 8-1-15 | - | 120 50 | 124 50 |
| P 43 | 86 109 | 111 233 | F6 | C30 | - | 8-1-17 | - | 120 50 | 124 50 |
| P 44 | 104 597 | 120 343 | F7x9* | C30 | - | 8-1-20 | - | 120 50 | 124 50 |
| P 81 | 103 743 | 132 901 | F6 | C24 | - | - | 8-1-11 | 124 50 | 128 50 |
| P 82 | 93 660 | 132 901 | F6 | C24 | - | - | 8-1-11 | 124 50 | 128 50 |
| P 83 | 103 743 | 142 068 | F6 | C24 | - | - | 8-1-11 | 124 50 | 128 50 |
| P 84 | 93 660 | 142 068 | F6 | C24 | - | - | 8-1-11 | 124 50 | 128 50 |

* COMBINED FOOTING SEE DETAIL 1/-
COLUMNS P1 TO P7 ARE WATERSLIDE CONCRETE SUPPORTS
COLUMNS P41 TO P44 ARE WATERSLIDE STEEL SUPPORTS
COLUMNS P81 TO P84 ARE TOWER STEEL COLUMNS

| STEEL COLUMN TABLE | | | | | |
|-----------------------------------|----------------------------------|--|--------------------------------|-------------------------|---------|
| COLUMN SIZE/TYPE DIAM x WALL (in) | BASE PLATE SEE DETAIL 8/S310 W-T | ELEVATIONS UNDERSIDE BASE PLATE (feet) | TOP OF COLUMN CAP PLATE (feet) | COLUMN CAP PLATE DETAIL | COL. NO |
| | | | | | P 1 |
| | | | | | P 2 |
| | | | | | P 3 |
| | | | | | P 4 |
| | | | | | P 5 |
| | | | | | P 6 |
| | | | | | P 7 |
| 12 75 x 0 375 | 21-1 25 | 128 67 | 142 50 | 13/S310 | P 41 |
| 10 75 x 0 365 | 19-1 25 | 124 67 | 132 25 | 13/S310 | P 42 |
| 12 75 x 0 375 | 21-1 25 | 124 67 | 136 00 | 13/S310 | P 43 |
| 16 00 x 0 375 | 24-1 25 | 124 67 | 146 75 | 13/S310 | P 44 |
| 6 63 x 0 28 | 15-1 | 128 67 | SEE TOWER DRAWING | | P 81 |
| 6 63 x 0 28 | 15-1 | 128 67 | SEE TOWER DRAWING | | P 82 |
| 6 63 x 0 28 | 15-1 | 128 67 | SEE TOWER DRAWING | | P 83 |
| 6 63 x 0 28 | 15-1 | 128 67 | SEE TOWER DRAWING | | P 84 |



1 COMBINED FOOTING
SCALE: 3/8"=1'-0"



| | | | |
|-------------|-----------------------------------|------------------|-----------|
| 0 | ENGINEERING ISSUE | NOV 09/2007 | AS |
| REV | REVISION DESCRIPTION/ISSUE RECORD | DATE | PE |
| DESIGNED BY | DATE | PROJ. ENG. CHECK | DATE |
| RS | SEP 13/2007 | RS | NOV 09/07 |
| DRAWN BY | DATE | DRAFTING CHECK | DATE |
| ARL | SEP 13/2007 | | |
| SCALE | AS NOTED | ARCHIVE FILE NO | 15198-300 |

NOTE:— IMPERIAL DIMENSIONS
ALL ELEVATIONS AND CO-ORDINATES ARE IN FEET
ALL OTHER DIMENSIONS ARE IN FEET AND INCHES

WHITE WATER
WhiteWater West Industries Ltd
6700 McMillan Way, Richmond, B.C. Canada V6W 1J7
Tel (604) 273-1068 Fax (604) 273-4518

FOUNDATION LAYOUT AND TABLES
ANTELOPE COMMUNITY PARK
SACRAMENTO, CALIFORNIA