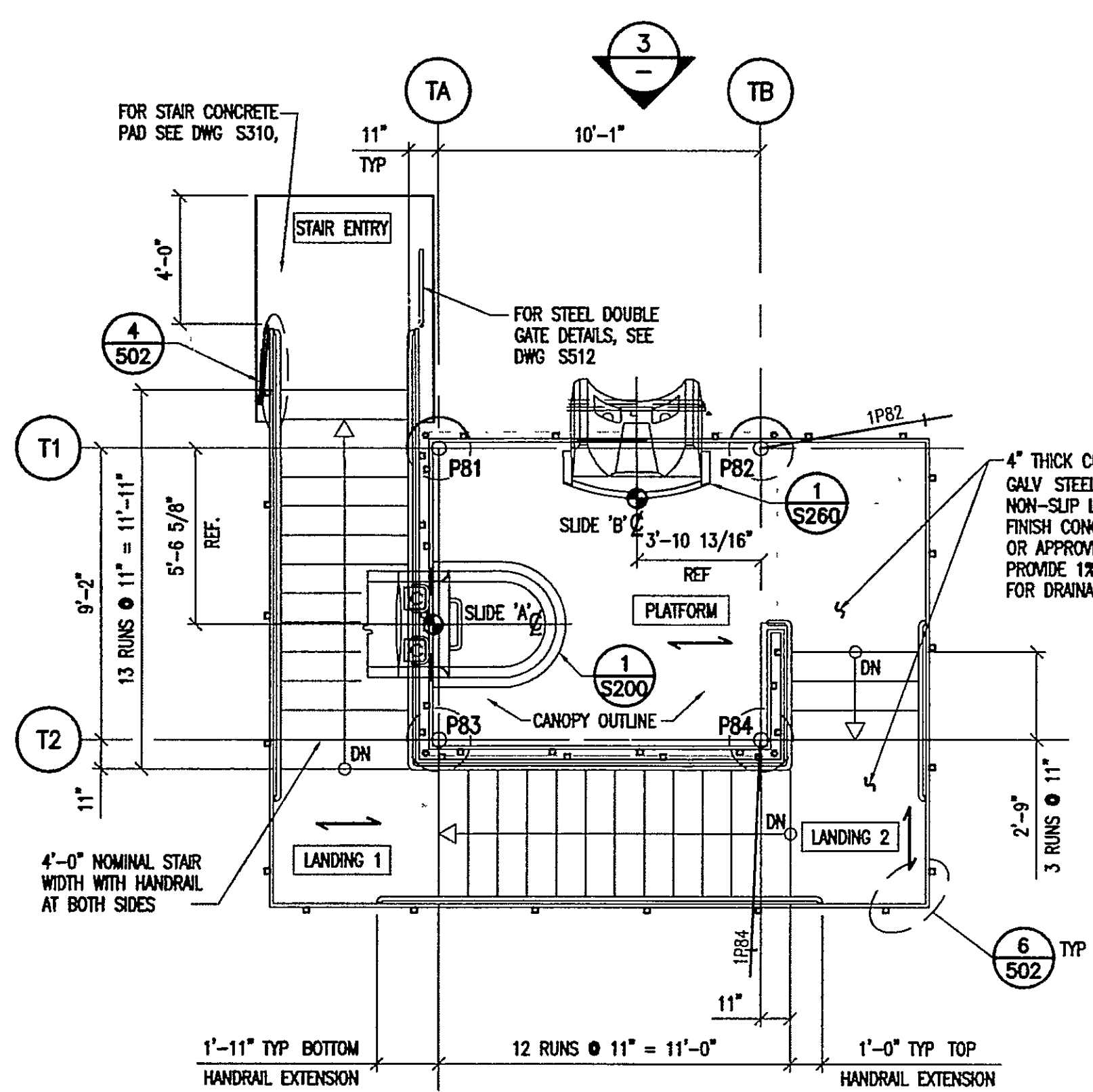
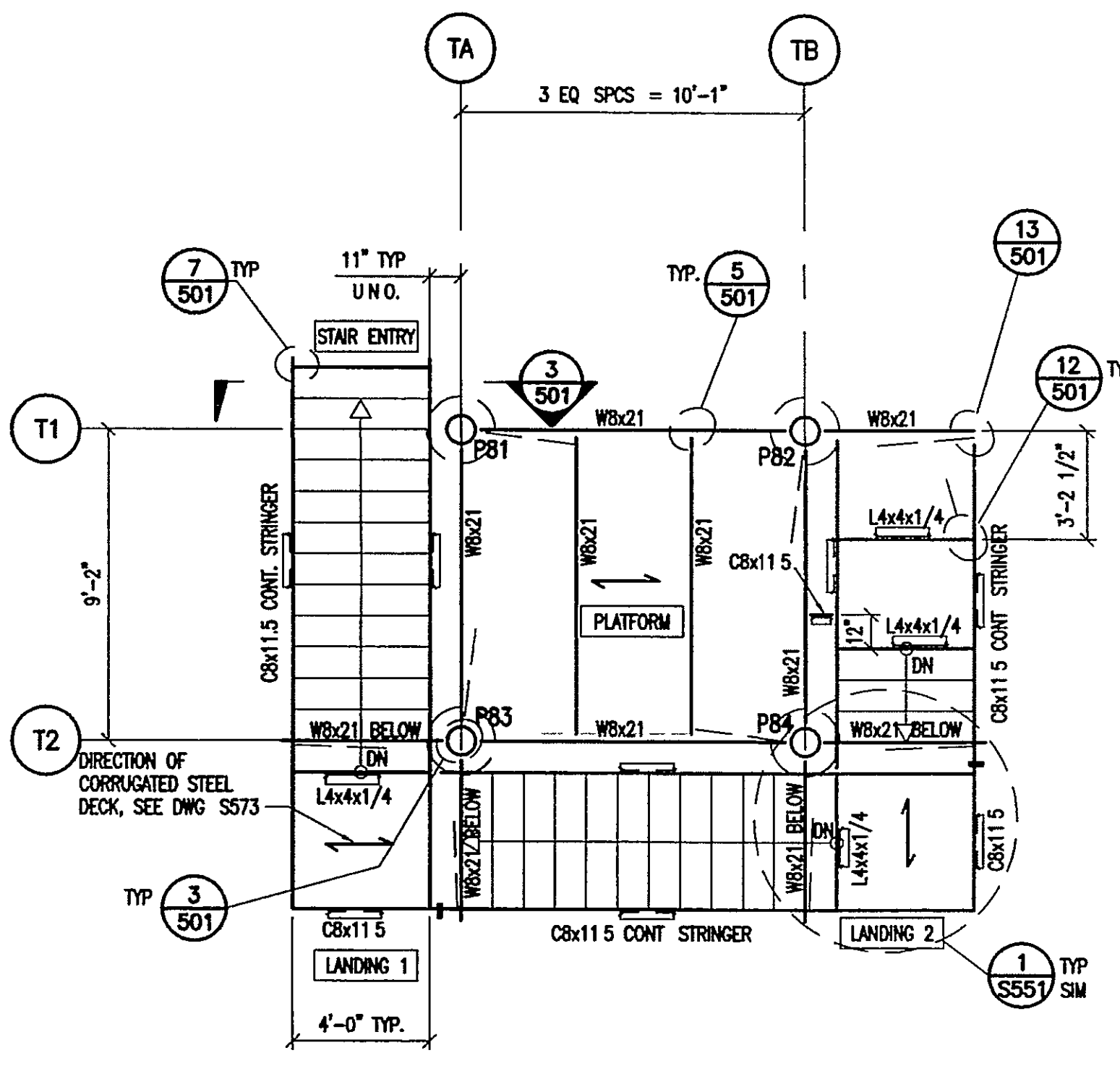


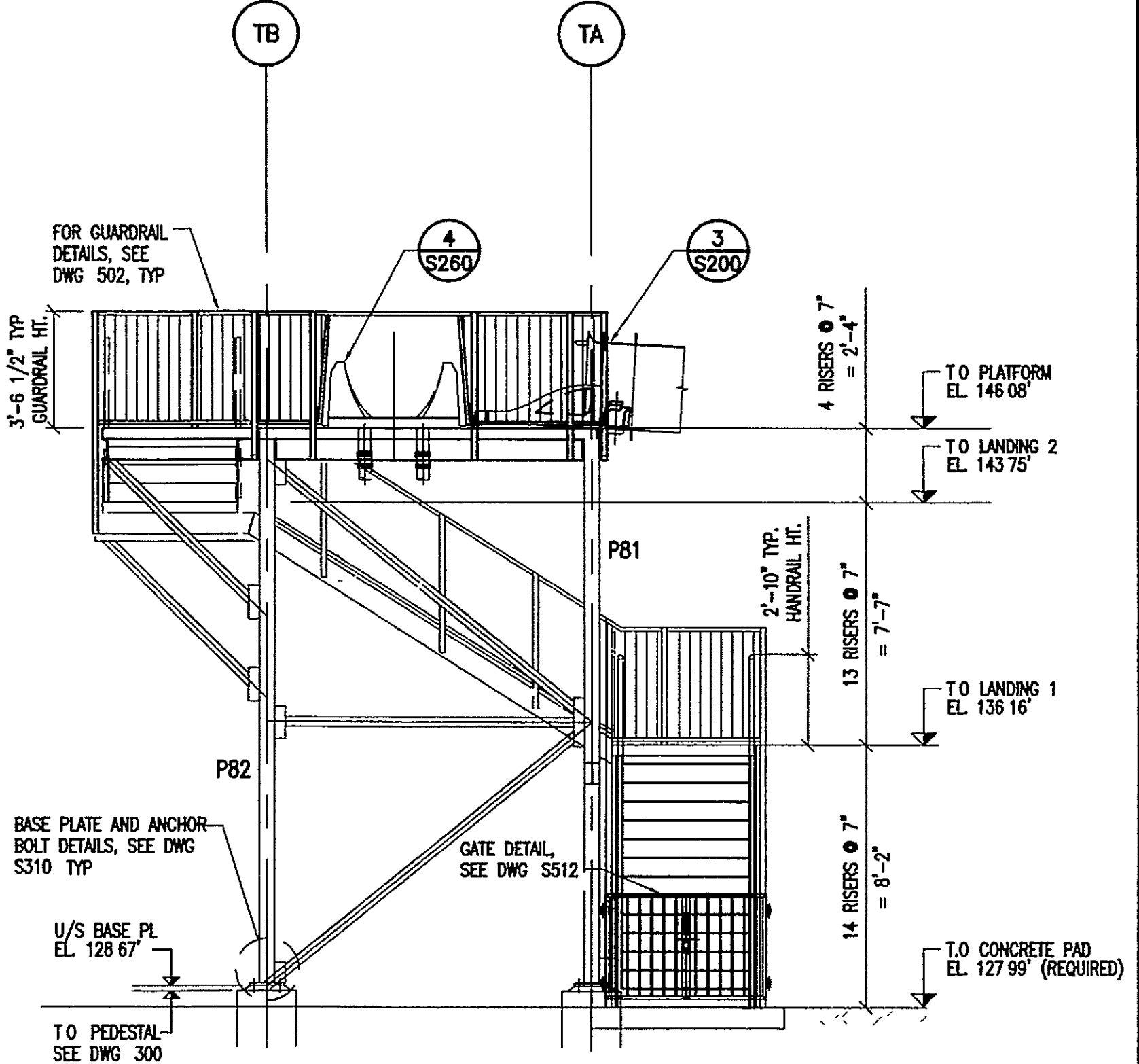
PLOT DATE: 3/09/2007
 FILE NAME: 14198-500
 ALL RIGHTS RESERVED THESE DRAWINGS AND SPECIFICATIONS ARE THE PROPERTY AND COPYRIGHT OF WHITEWATER AND SHALL NOT BE REPRODUCED OR USED ON ANY OTHER WORK EXCEPT BY WRITTEN AGREEMENT WITH WHITEWATER.



1 TOWER PLAN



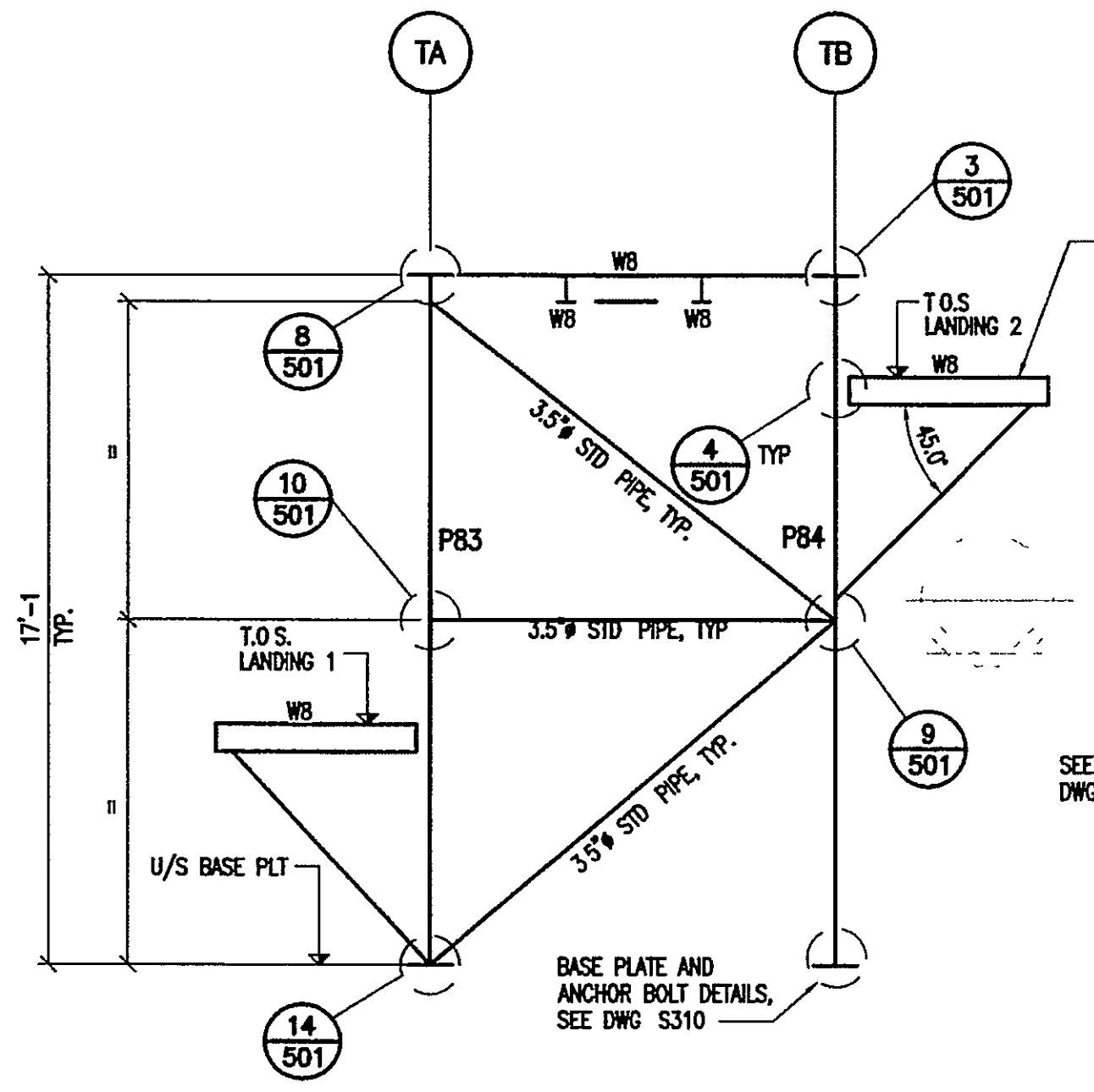
2 FRAMING PLAN



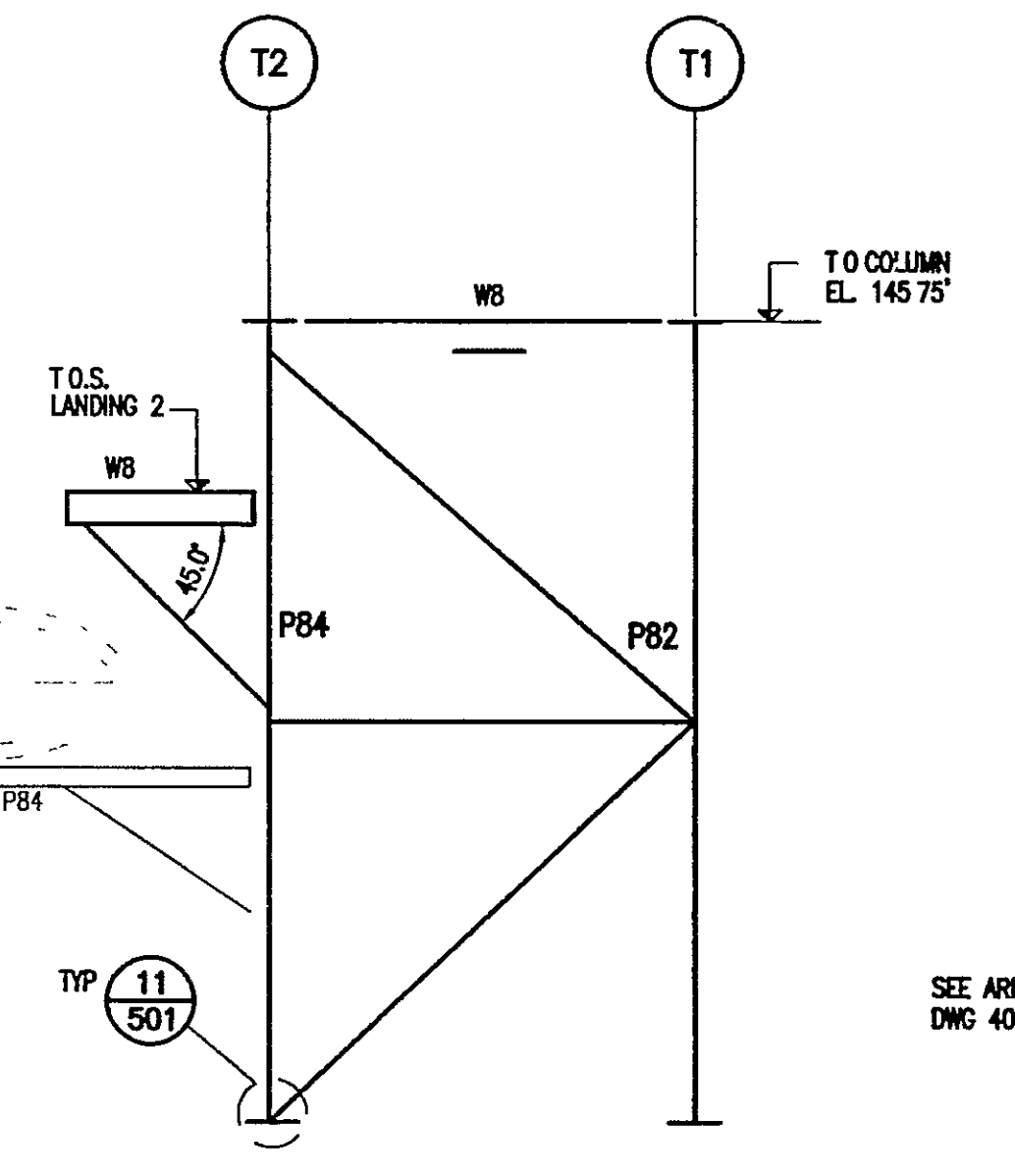
3 TOWER ELEVATION

NOTES:
 1 FOR GENERAL NOTES AND SPECIFICATIONS SEE DWG 130
 2 FOR DECKING LAYOUT AND DETAILS, SEE DWG S573

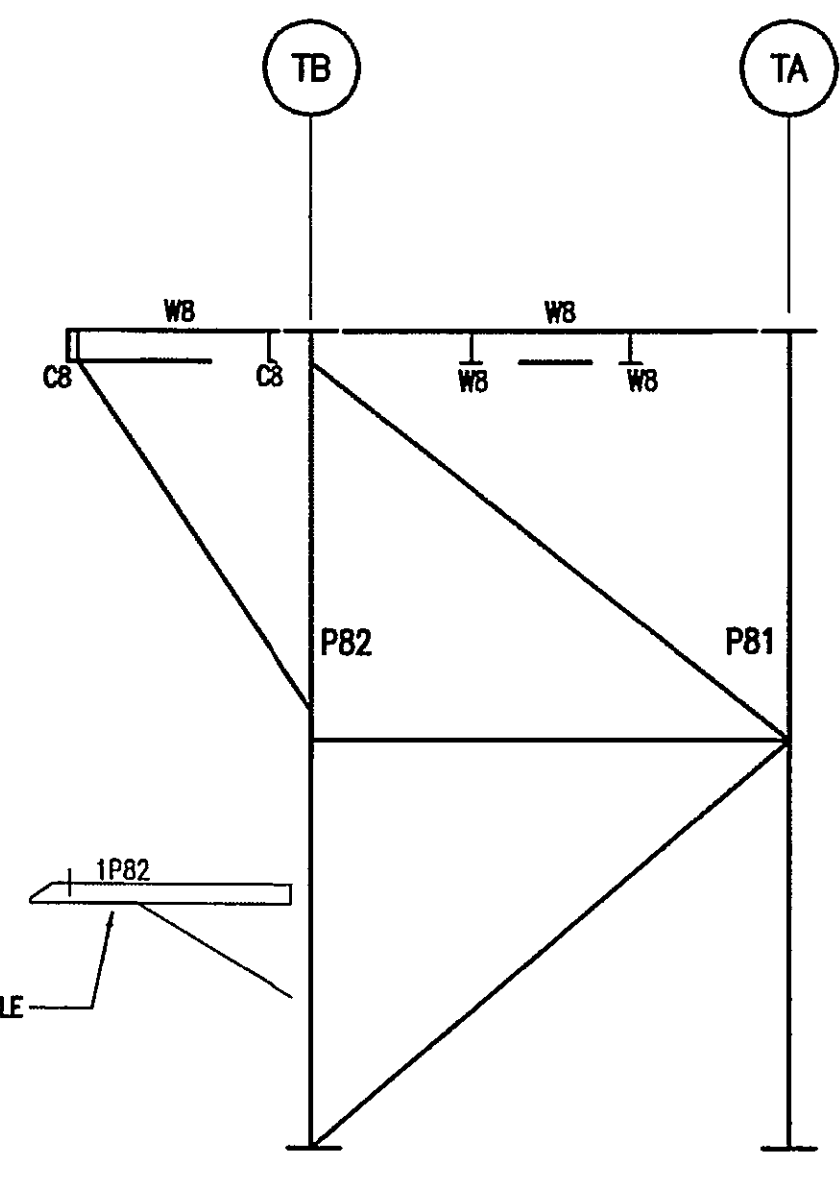
SEE
 SUBM # 107
 FOR
 LIGHTING



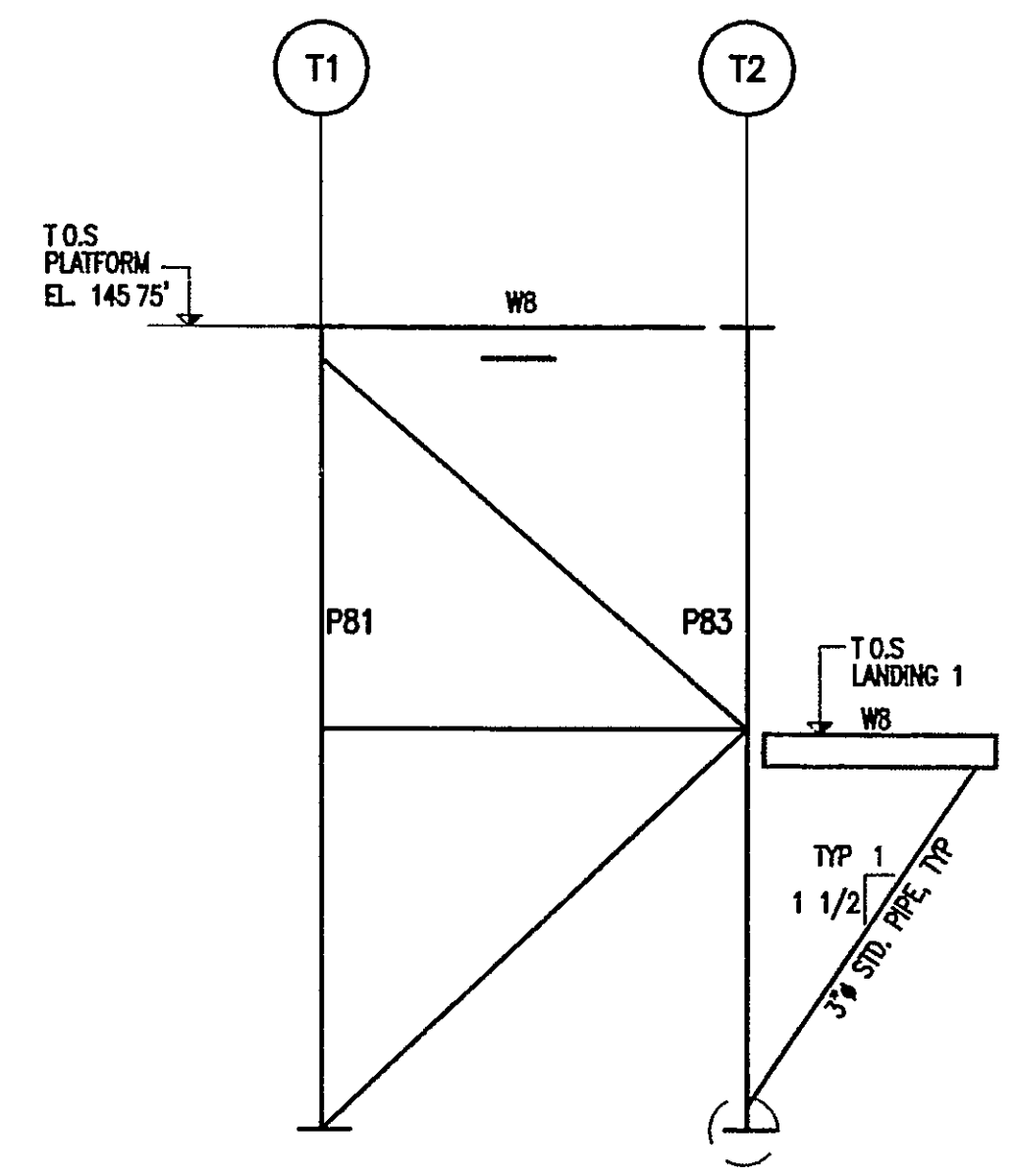
4 ELEVATION ON BAYLINE 'T2'



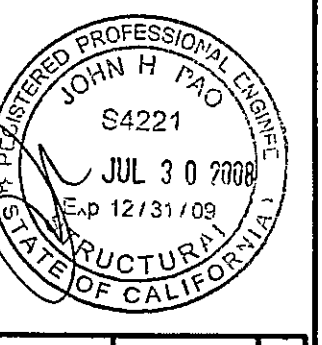
5 ELEVATION ON BAYLINE 'TB'
 SEE 4 FOR DETAILS NOT SHOWN



6 ELEVATION ON BAYLINE 'T1'
 SEE 4 FOR DETAILS NOT SHOWN



7 ELEVATION ON BAYLINE 'TA'
 SEE 4 FOR DETAILS NOT SHOWN



A	GENERAL REVISION	JUL 22/2008
0	ENGINEERING ISSUE	NOV 09/2007
REV	REVISION DESCRIPTION/ISSUE RECORD	DATE PE
DESIGNED BY	DATE	PROJ ENG CHECK DATE
RS	SEP 26/2007	
DRAWN BY	DATE	DRAFTING CHECK DATE
PL	SEP 26/2007	
SCALE	1/4"=1'-0"	ARCHIVE FILE NO 15198-500

NOTE:— IMPERIAL DIMENSIONS
 ALL ELEVATIONS AND CO-ORDINATES ARE IN FEET
 ALL OTHER DIMENSIONS ARE IN FEET AND INCHES

WHITE WATER
 WhiteWater West Industries Ltd
 6700 McMillan Way Richmond, B.C. Canada V6W 1J7
 Tel (604) 273-1088 Fax (604) 273-4518

TOWER
 PLANS AND ELEVATIONS
 ANTELOPE COMMUNITY PARK
 SACRAMENTO, CALIFORNIA